

## Safety Precautions

Read all safety precautions and installation instructions carefully before installing or servicing this fixture. Failure to comply with these instructions could result in potentially fatal electric shock and/or property damage. It is recommended that all wiring shall be performed by a qualified electrician. This fixture must be wired in accordance with all national and local electrical codes.

Do not handle any energized fixture or attempt to energize any fixture with wet hands or while standing on a wet or damp surface or in water.

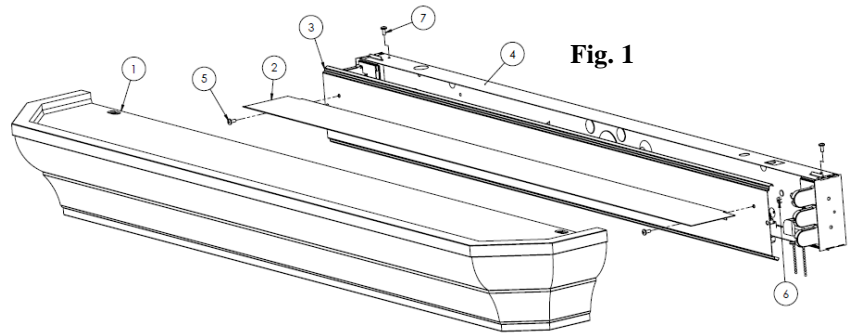
This fixture is designed for use in a 120VAC, 60Hz fused circuit. Do not use on a dimming circuit. Make sure that the power source conforms to the requirements of the fixture (see labels on fixture housing).

To reduce the risk of electrical shock, and to assure proper operation, this fixture must be adequately grounded. To accomplish proper grounding, there must be a separate ground wire (green) or bare metal contact (metal conduit) between this fixture and the ground connection of your main power supply panel. The green ground screw location is clearly marked on the fixture housing. This fixture is intended to be used for general indoor lighting in dry or damp locations only.

## Assembly Instructions

### 1. Preparing for Installation

- Disconnect electrical power before installing or servicing any part of this fixture.
- Remove channel cover (3) by squeezing near the dimples at each end of the fixture channel (4).
- Fasten divider (2) to channel cover (3) using two 8-32 screws (5) and two 8-32 nuts (6).
- Remove appropriate knockout(s) for power supply entry.



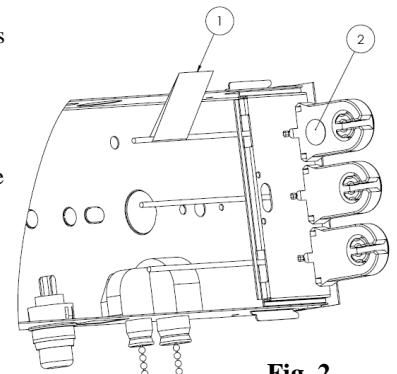
### 2. Fixture Mounting

- To remove knockout, it is recommended to use a blunt object facing away from you to punch out.
- Position the fixture channel (4) onto the wall and mark all appropriate mounting locations. **You may need someone to help you hold the fixture up.** Take the fixture channel (4) down and punch a small hole in the wall at each of the locations you have marked using a nail or an awl to see if there is a wall stud above you can mount the fixture to. Where there is a wall stud, use a suitable screw (not included) to mount the fixture. Where there is no stud to screw into, a 3/16" toggle bolt (not included) must be used to mount the fixture channel securely to the wall.

### 3. Wiring

**Caution:** Make sure power is off at fuse or circuit breaker box. Check power wires for damage or scrapes. If power supply wires are within three inches of ballast, use wire suitable for at least 90° C (194° F). **Note:** Most dwellings built before 1985 have supply wire rated to 60° C. Consult a qualified electrician before installing.

- This unit will not operate properly unless connected to a "grounded" electrical circuit. Electrical shock, over heating, low or no light output, and shortened lamp life can result if proper grounding is not done. Feed the green (or green and yellow) wire through knockout and securely attach to provided green ground screw.
- Feed the white and black wires through knockout. Using provided wire nuts, connect white supply wire to white ballast wire, connect black hot supply wire to black ballast wire. Pull on each wire lead to verify all connections are secure. Make certain no bare wires are exposed outside of the wire nuts. Secure fixture channel (4) to wall.
- Install sockets into lampholder slots by sliding socket up and through until the tabs are engaged. **Important:** Sockets that are flagged (Fig. 2-1) and marked with a dot (Fig. 2-2) correspond to the one-light circuit and should be placed furthest from the night light. These are the upper set of sockets when fixture is installed.
- Replace channel cover (3) by placing one edge of ballast cover over dimples, swing over opposite side and press cover allowing second edge to catch the dimples securing the cover (3) onto the channel (4). Make sure no wires are trapped between the channel cover (3) and fixture channel (4).



### 4. Lamping & Final Assembly

- Install appropriate lamps (not included): Insert linear lamp pins into lamp holders; rotate lamps into place to seat lamps for proper connection. Verify there are no large gaps between the lamp end and socket face.
- Place the diffuser assembly (1) over the channel (4) and mount with screws (7).
- Restore power at fuse or circuit breaker box.

#### Limited Factory Warranty

AFX Inc. hereby warrants that this fixture is free from defects in materials and workmanship when installed and used under normal operating conditions for a period of 2 years from date of purchase. This warranty covers all component parts and extends only to replacement of defective fixture or components; it does not cover failure due to improper installation, misuse, mishandling or damage incurred in transit.